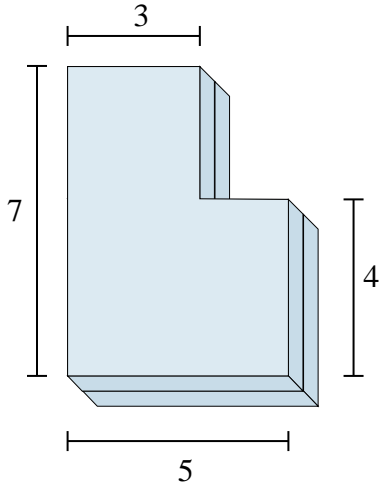




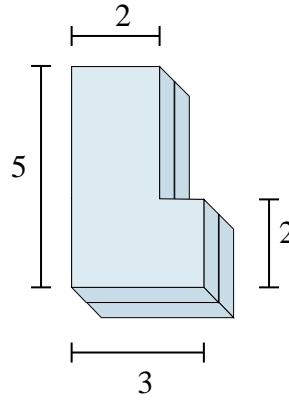
Find the total volume of each figure shown. Measured in cm (not to scale).

Answers

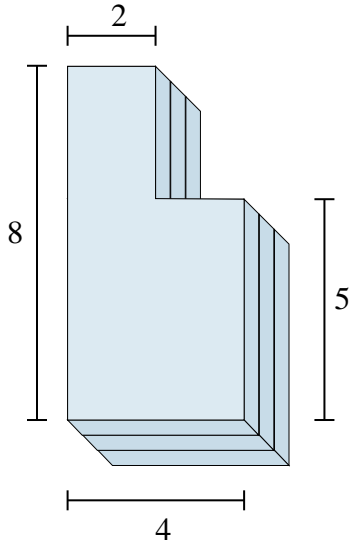
1)



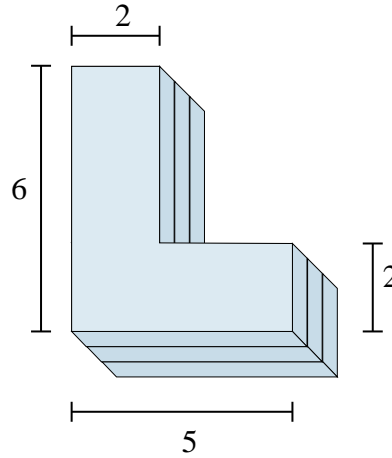
2)



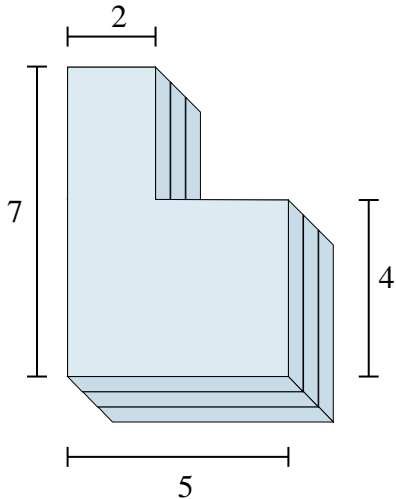
3)



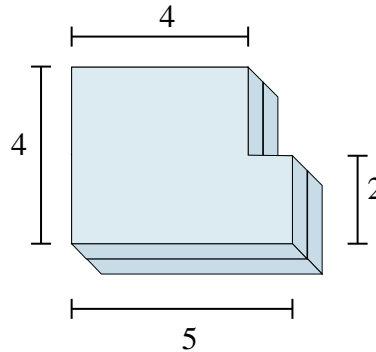
4)



5)



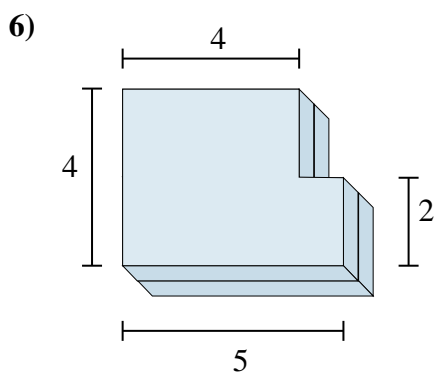
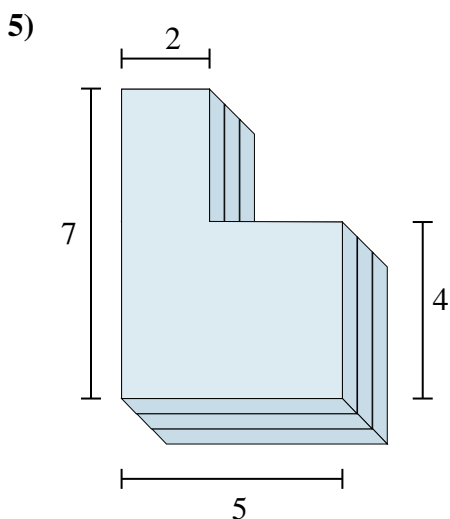
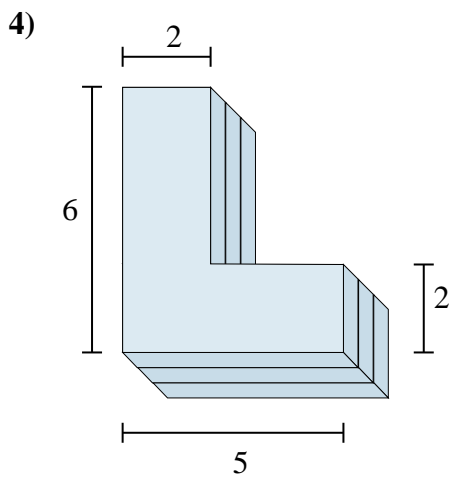
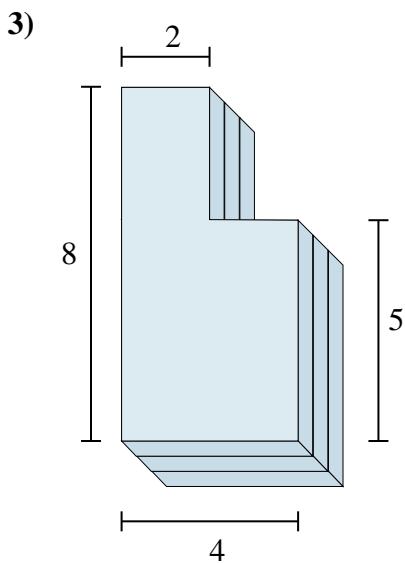
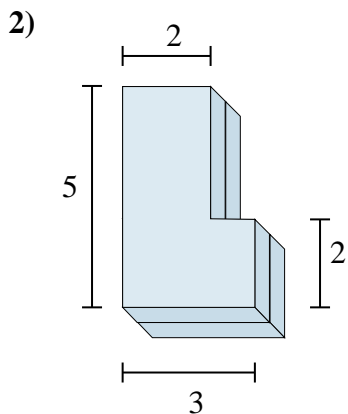
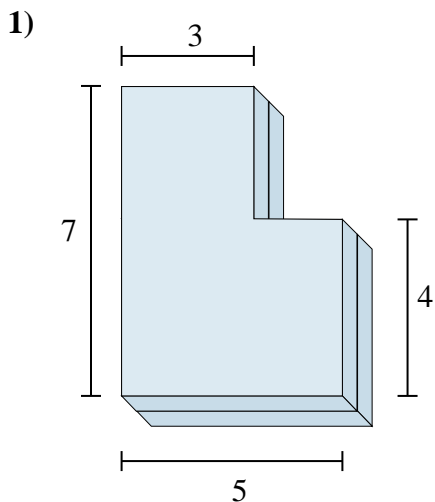
6)



- 1. \_\_\_\_\_
- 2. \_\_\_\_\_
- 3. \_\_\_\_\_
- 4. \_\_\_\_\_
- 5. \_\_\_\_\_
- 6. \_\_\_\_\_



Find the total volume of each figure shown. Measured in cm (not to scale).



Answers

1. **58 cm<sup>3</sup>**

2. **24 cm<sup>3</sup>**

3. **78 cm<sup>3</sup>**

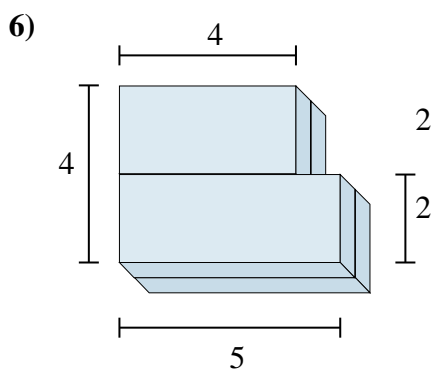
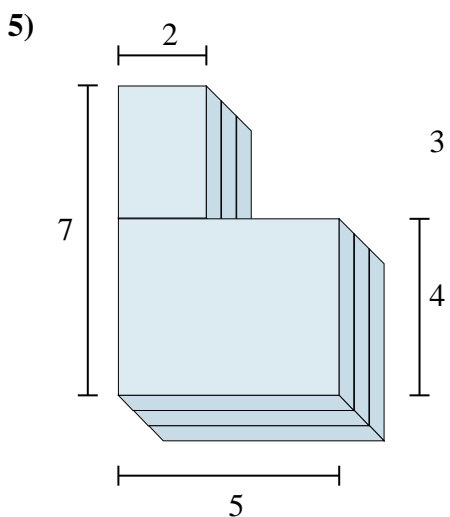
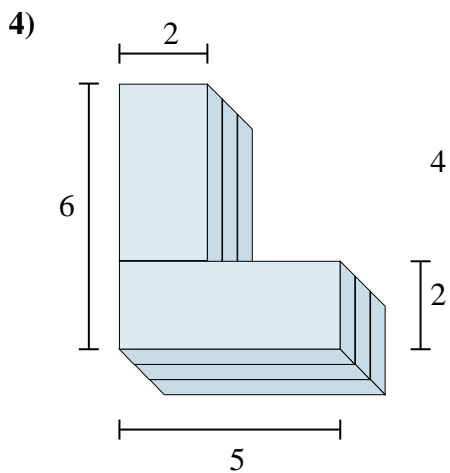
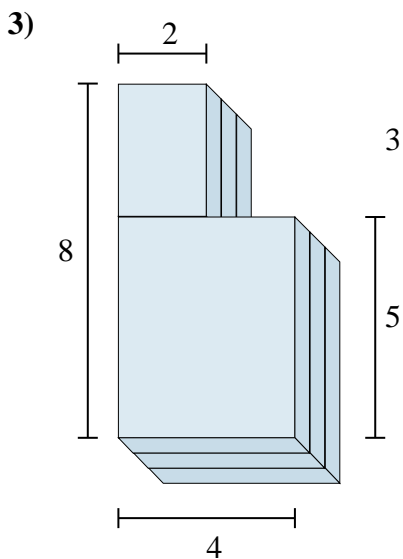
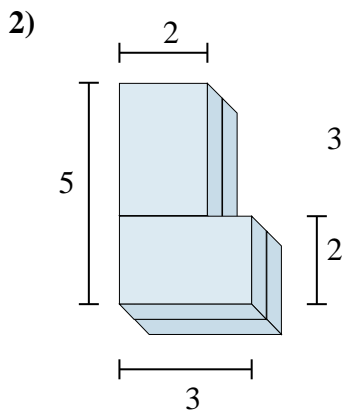
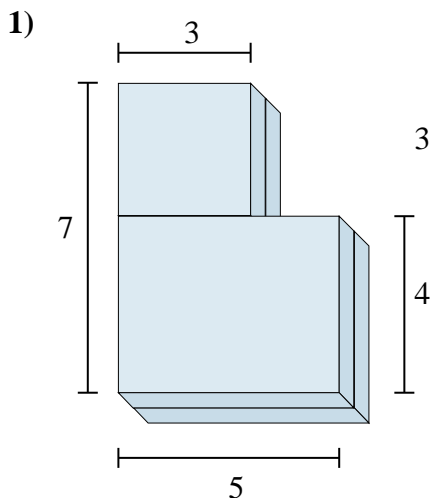
4. **54 cm<sup>3</sup>**

5. **78 cm<sup>3</sup>**

6. **36 cm<sup>3</sup>**



Find the total volume of each figure shown. Measured in cm (not to scale).



Answers

1. \_\_\_\_\_

2. \_\_\_\_\_

3. \_\_\_\_\_

4. \_\_\_\_\_

5. \_\_\_\_\_

6. \_\_\_\_\_