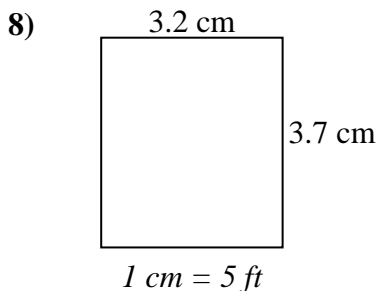
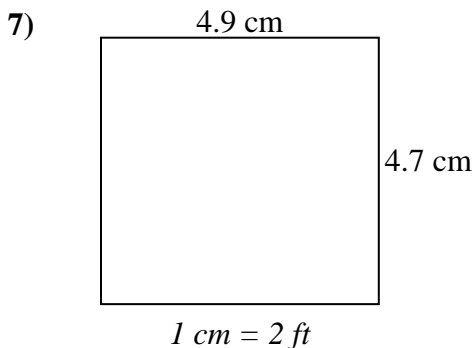
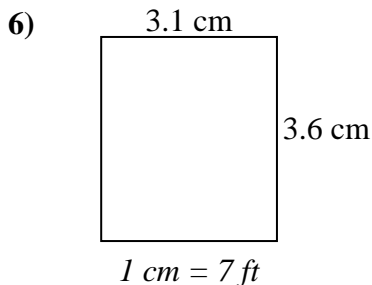
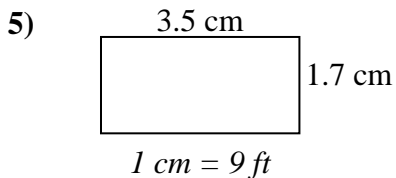
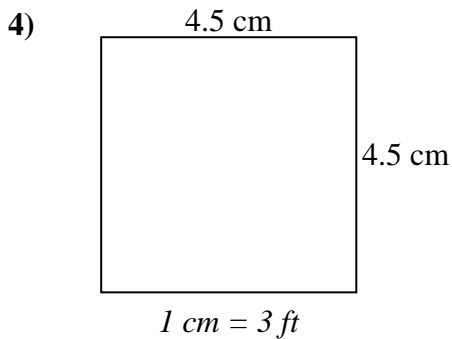
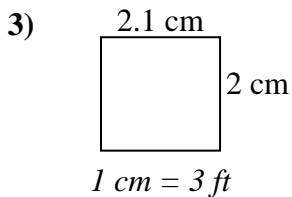
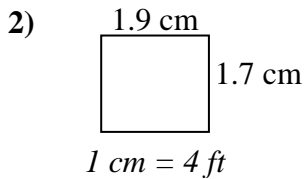
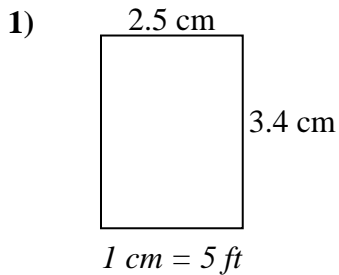




Determine the actual width, height and area of each scale rectangle.

Round the area to the nearest whole number.



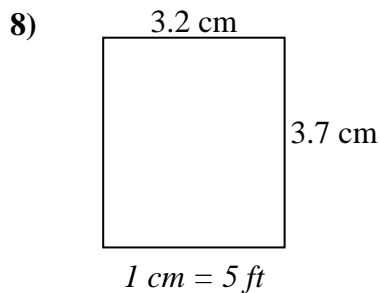
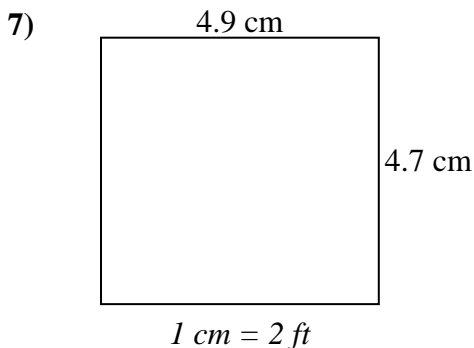
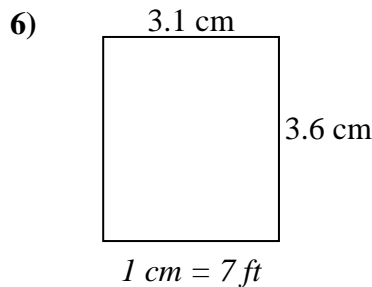
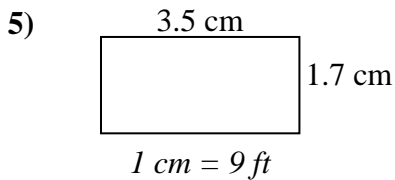
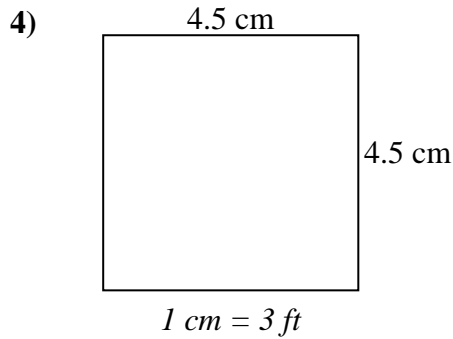
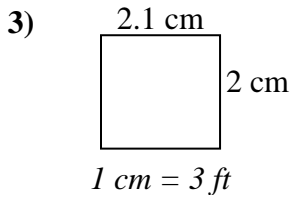
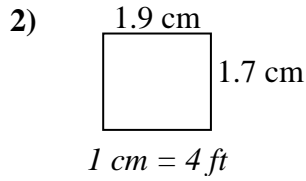
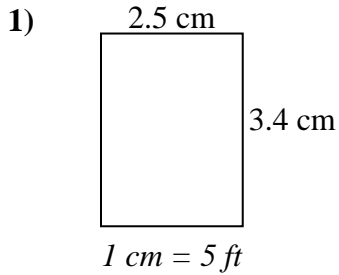
Answers

1. _____
2. _____
3. _____
4. _____
5. _____
6. _____
7. _____
8. _____



Determine the actual width, height and area of each scale rectangle.

Round the area to the nearest whole number.



Answers

- | | | | |
|----|-------------|-------------|------------|
| 1. | <u>12.5</u> | <u>17</u> | <u>213</u> |
| 2. | <u>7.6</u> | <u>6.8</u> | <u>52</u> |
| 3. | <u>6.3</u> | <u>6</u> | <u>38</u> |
| 4. | <u>13.5</u> | <u>13.5</u> | <u>182</u> |
| 5. | <u>31.5</u> | <u>15.3</u> | <u>482</u> |
| 6. | <u>21.7</u> | <u>25.2</u> | <u>547</u> |
| 7. | <u>9.8</u> | <u>9.4</u> | <u>92</u> |
| 8. | <u>16</u> | <u>18.5</u> | <u>296</u> |